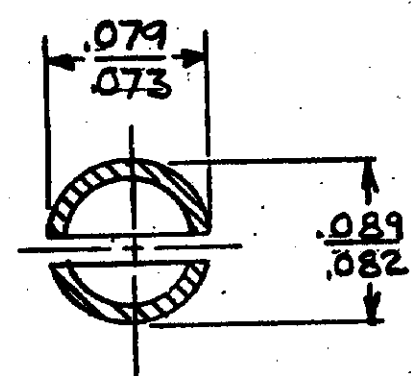
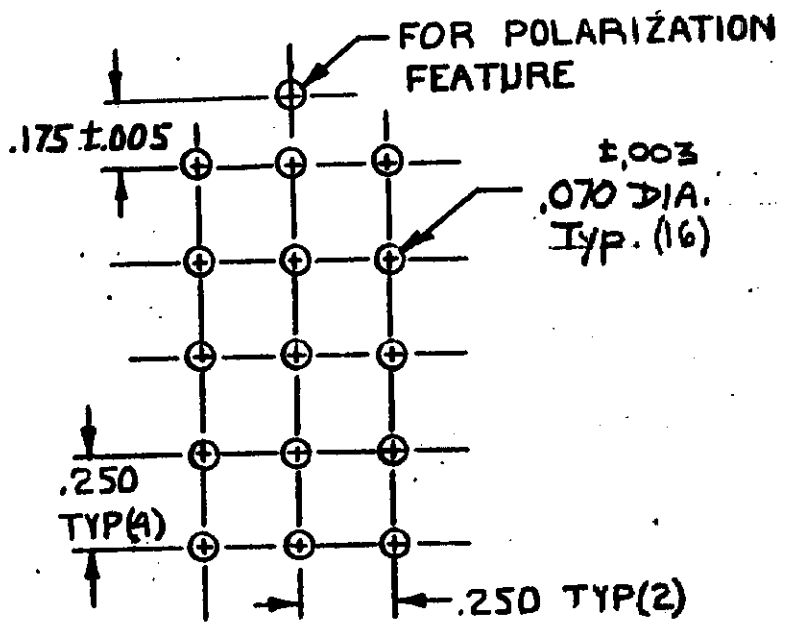
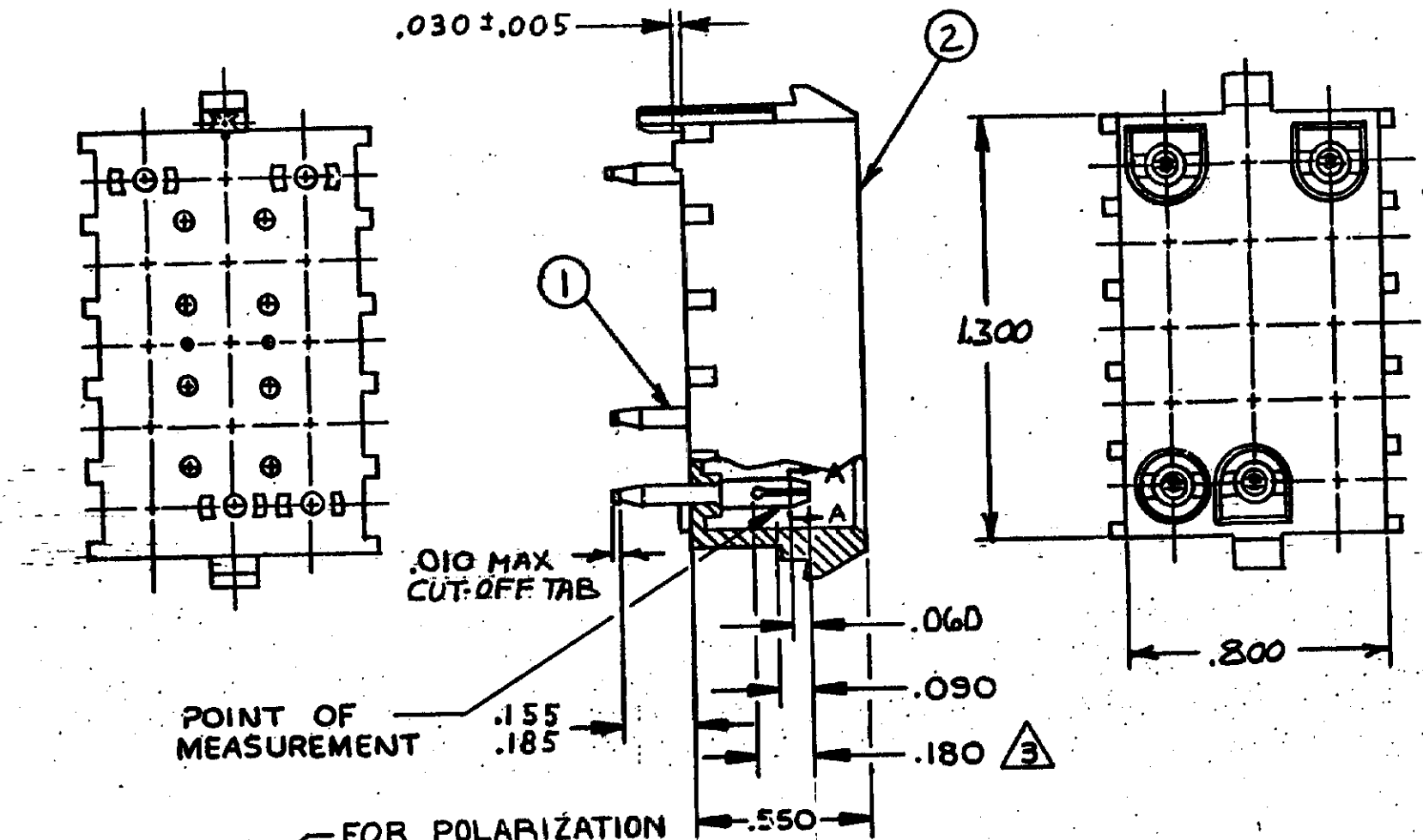


THIS DRAWING IS UNPUBLISHED. RELEASED FOR PUBLICATION 19

© COPYRIGHT 19 BY AMP INCORPORATED, HARRISBURG, PA. ALL INTERNATIONAL RIGHTS RESERVED. AMP PRODUCTS MAY BE COVERED BY U.S. AND FOREIGN PATENTS AND/OR PATENTS PENDING.

REVISIONS					
P	ZONE	LTR	DESCRIPTION	DATE	APPROVED
✓		O	REL NEW DRAWING TTI 81-101	1/11/83	DAS/2H
✓		A	REV PER ECN M-7384	9/13/83	TEB / SJ
✓		B	REV PER ECN AG 214	1/26/84	MC / KS
✓		B ₁	RESTORATION	6-7-85	KS / SJ
✓		C	ADDED -2 PER TTI CM85-74	9-19-85	CM / RS
✓		D	OBSOLETE -2 PER CM-947	7-14-87	PKC TB
✓		E	REVISE PER CM-1511	2-9-88	PKC RS
✓		F	REVISED PER CM-3328	2-20-91	PKC RS
✓		G	REV PER ECN 0730-3928-92	1-7-93	WJG RS
✓		H	REVISED PER EC 0730-4181-93	7-6-93	LWS RS



SECTION A-A SCALE 10:1

1. PARTS COMPLY WITH AMP SOLDERABILITY SPEC. 109-11-3.
2. MATES WITH HOUSING No. 480710 USING SOCKET CONTACTS.
3. CONTACT IS PLATED OVERALL WITH .000050 NICKEL, THEN .000030 GOLD OVER CONTACT LENGTH INDICATED AND MATTE TIN ON SOLDER TAIL END.

No. PER ASSY	DESCRIPTION	MATERIAL & FINISH	ITEM No.	PART NO
1	HOUSING	NYLON, 94V-2, NATURAL	2	641975-1
15	CONTACT	PHOS BRZ, PRE-TIN	1	

UNLESS OTHERWISE SPECIFIED DIMENSIONS ARE IN INCHES. TOLERANCES ON: DECIMALS ± .015 ANGLES ± .015	CONTRACT NO		AMP AMP INCORPORATED Harrisburg, Pa.	
	DR D.A. SALTZER 1-11-83			
	CHK D.S. Heide 2/14/83		NAME	
	APPD R.E. Quella 2/14/83		HEADER ASSY, PIN, POLARIZED, UNIVERSAL MATE-N-LOK™ 15 CIRCUIT	
MATERIAL	SEE TABLE	DSGN APPD	SIZE B	FSCM NO 00779
FINISH	SEE TABLE	OTHER APPD	DRAWING NO 641975	
			SCALE 2:1	SHEET

RECOMMENDED LAYOUT FOR .062 THICK R.C. BOARD